

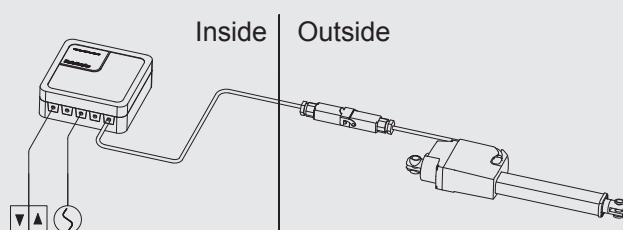
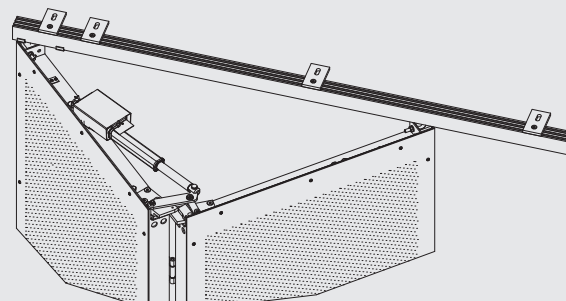


## Folding Shutter Motorisation

Morag Folding Shutters can be motorized with a specially engineered hinge mechanism operated by a compact 24V linear actuator. This clever mechanism enables the shutter to close completely flat.

Shutters can be motorized to function in places without personal access or simply for a more comfortable use. Motorisation also allows automation by clock or sun sensor and operation via a building management system.

Every motor works with an electronic controller that is placed inside the building. This controller regulates motor speed and stops the shutter when an obstacle is met.



## Folding Shutter Manual Locking

A manual folding shutter can be locked in its fully open and fully closed position. An espagnolette is used for the fully closed (flat) position. The espagnolette is placed in one of the vertical frame profiles and locks inside the opening of the top rail. A hook and pin are used for the fully opened position.

