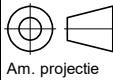
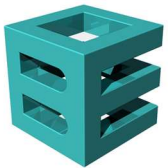
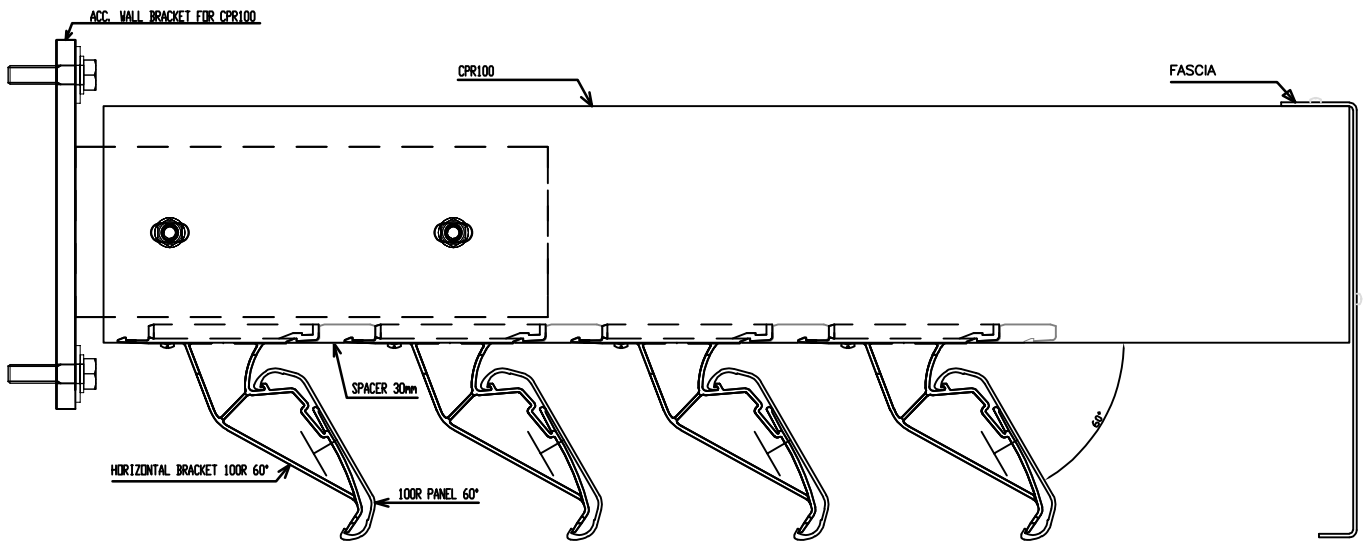
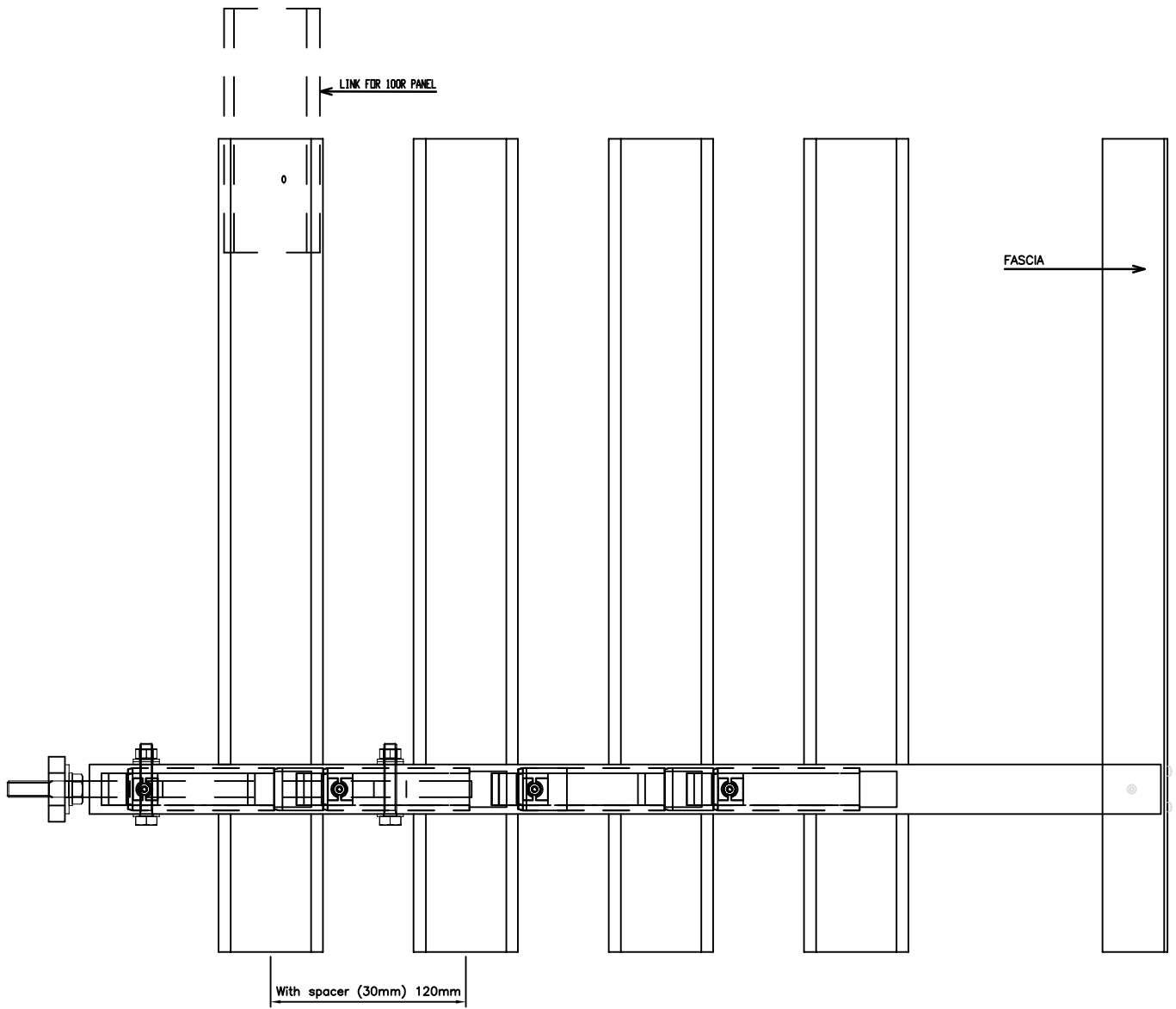


**BuildingElegance**

C	-	-	-
B	-	-	-
A	-	-	-
-	-	06-05-2022	
Rev.	Eng.	Date	Revision description

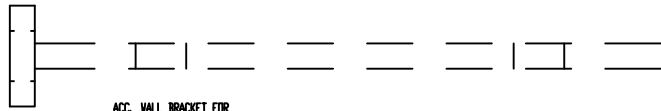
 Am. projectie	Format: <b>A4</b>	Scale: <b>1 : 4</b>	Customer:	Description: <b>100-UC Horizontal</b>	
	Dimension tolerances: NEN-ISO-2768-1-m Weldment tolerances: DIN 8570B	Status: <b>DEF</b>	Project:	Drawing number: <b>31 1604 0001</b>	Revision: <b>-</b>



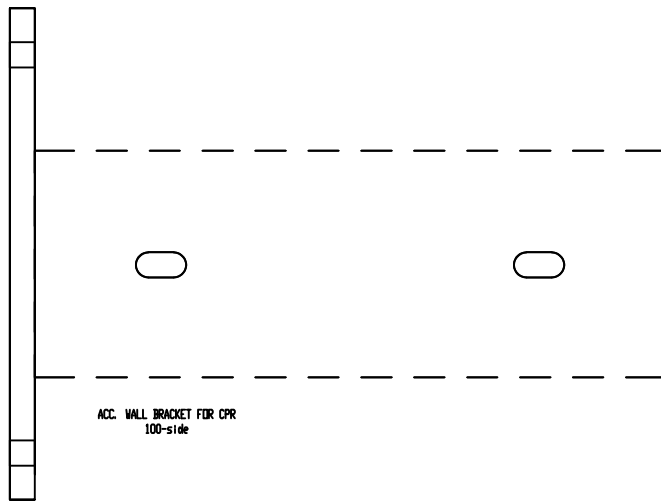
**BuildingElegance**

C	-	-	-
B	-	-	-
A	-	-	-
-	-	06-05-2022	
Rev.	Eng.	Date	Revision description

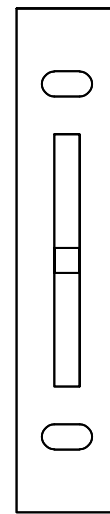
 Am. projectie	Format: <b>A4</b>	Scale: <b>1 : 4</b>	Customer:	Description: <b>100-UC Horizontal with fascia</b>	
	Dimension tolerances: NEN-ISO-2768-1-m Weldment tolerances: DIN 8570B	Status:	<b>DEF</b>	Project:	Drawing number: <b>31 1604 0002</b>



ACC. WALL BRACKET FOR  
CPR 100-top

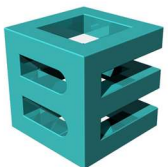


ACC. WALL BRACKET FOR CPR  
100-side



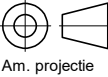
ACC. WALL BRACKET FOR CPR100

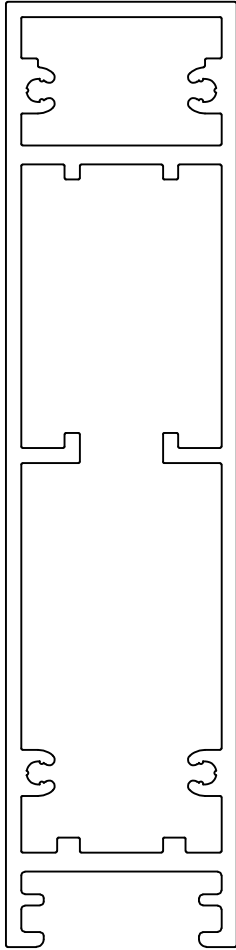
WALL BRACKET FOR 100-UC HORIZONTAL



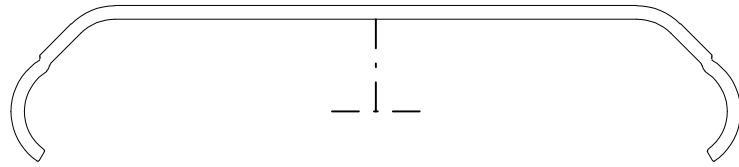
**BuildingElegance**

C	-	-	-
B	-	-	-
A	-	-	-
-	-	06-05-2022	
Rev.	Eng.	Date	Revision description

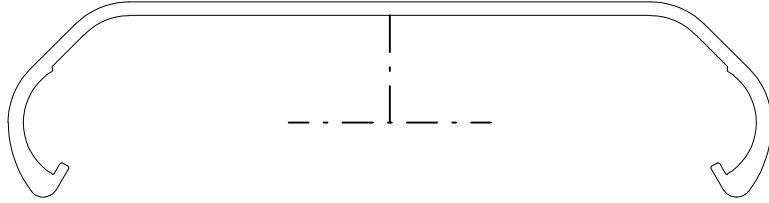
 Am. projectie	Format: <b>A4</b>	Scale: <b>1 : 3</b>	Customer:	Description:	
	Status:	<b>DEF</b>	Project:	Drawing number:	Revision:
Dimension tolerances: NEN-ISO-2768-1-m Weldment tolerances: DIN 8570B			-	<b>31 1604 0003</b>	-



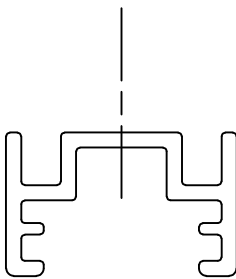
90 0104 0004 CPR100 CARRIER



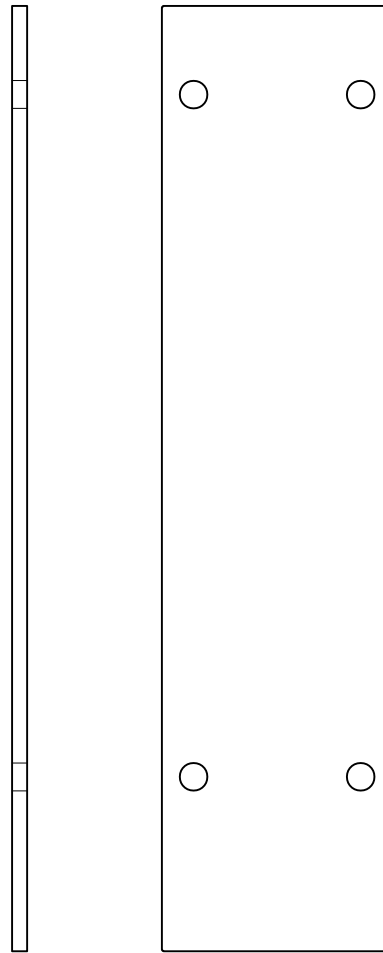
90 0104 0005 100R SPLICE



90 0102 0011 100R PANEL



90 0104 0003 CPR100 CARRIER



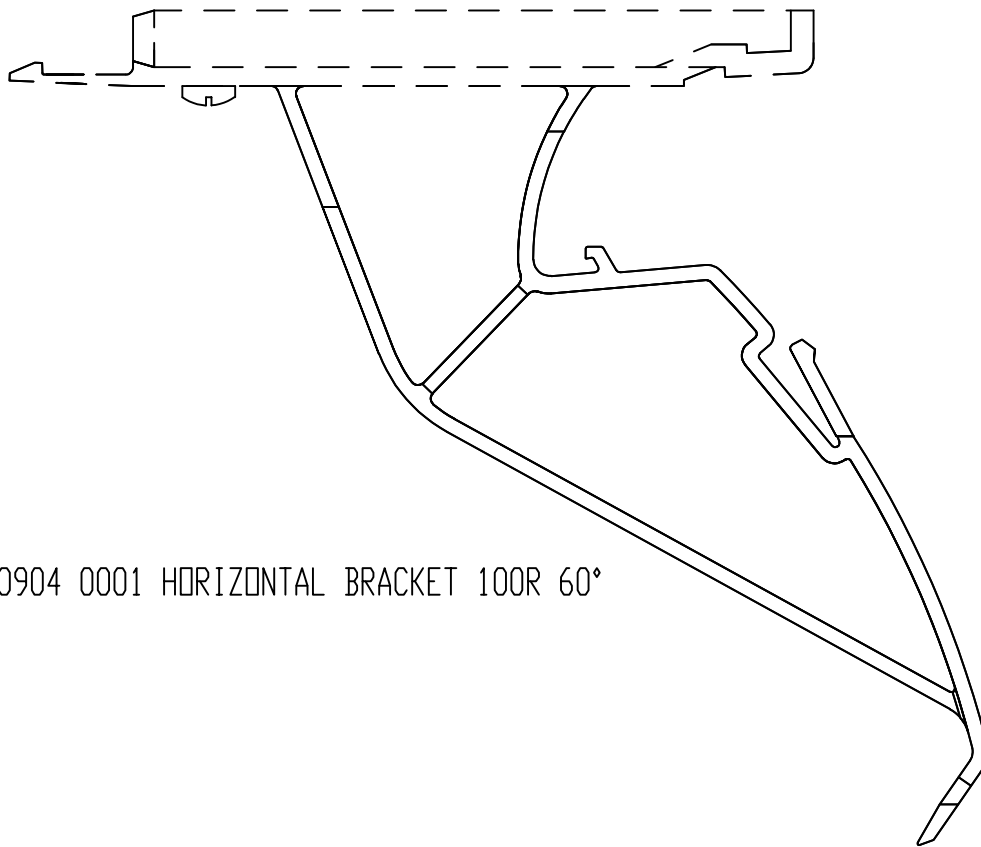
31 0804 0001 ENDCAP CPR100



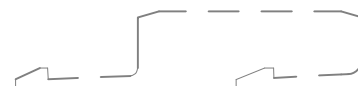
**BuildingElegance**

C	-	-	-
B	-	-	-
A	-	-	-
-	-	06-05-2022	
Rev.	Eng.	Date	Revision description

 Am. projectie	Format: <b>A4</b>	Scale: <b>1 : 4</b>	Customer:	Description:	
	Status:	<b>DEF</b>	Project:	<b>100-UC Accessoires</b>	Drawing number:
Dimension tolerances: NEN-ISO-2768-1-m Weldment tolerances: DIN 8570B				<b>31 1604 0004</b>	Revision:
					<b>-</b>



31 0904 0001 HORIZONTAL BRACKET 100R 60°

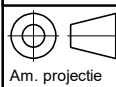


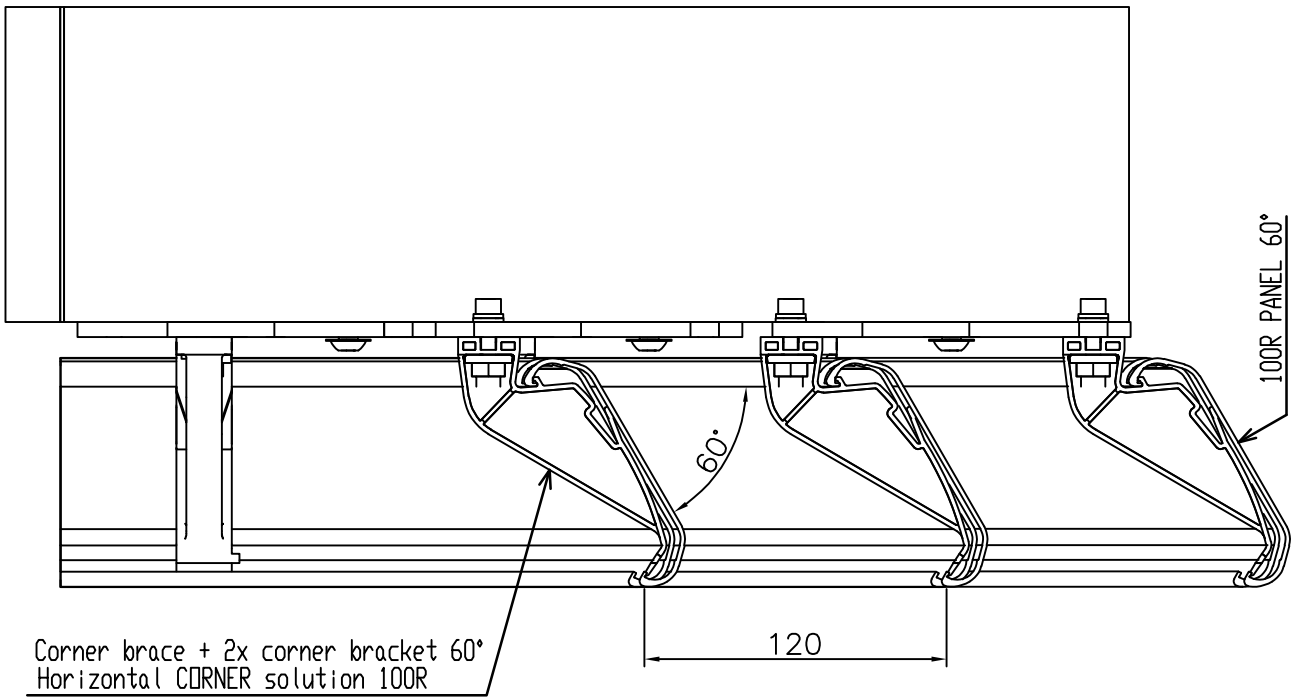
31 0904 0004 SPACER 30mm-side



**BuildingElegance**

C	-	-	-
B	-	-	-
A	-	-	-
-	-	06-05-2022	
Rev.	Eng.	Date	Revision description

 Am. projectie	Format: <b>A4</b>	Scale: <b>1 : 1</b>	Customer:	Description:	
	Status:	<b>DEF</b>	Project:	Drawing number:	Revision:
Dimension tolerances: NEN-ISO-2768-1-m Weldment tolerances: DIN 8570B				<b>100-UC BracketS</b>	<b>31 1604 0005</b>
					<b>-</b>



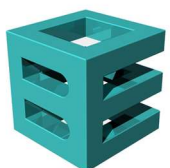
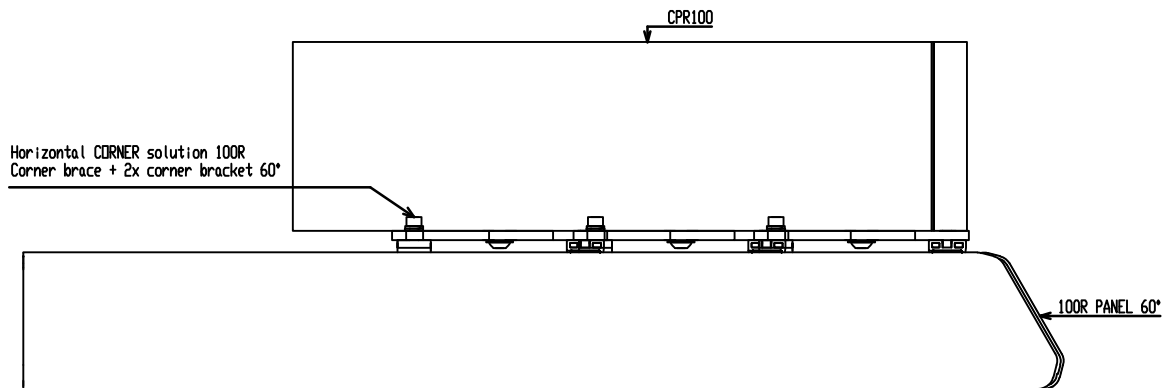
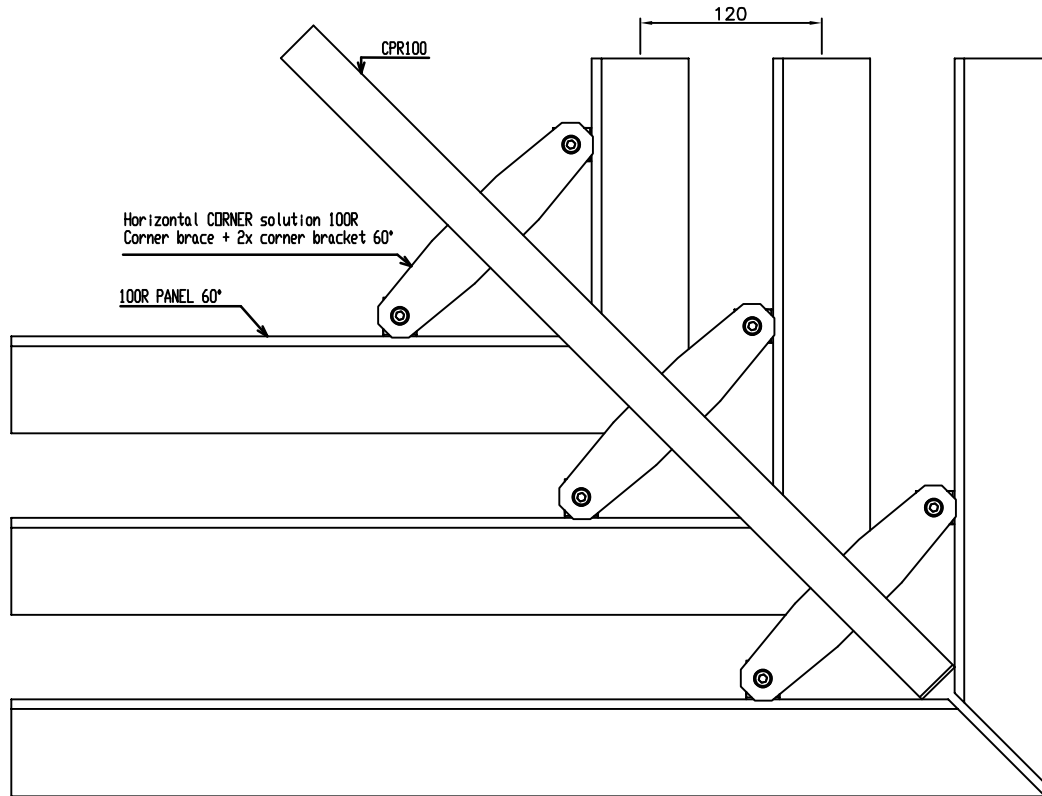
Corner brace + 2x corner bracket 60°  
Horizontal CORNER solution 100R



**BuildingElegance**

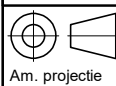
C	-	-	-
B	-	-	-
A	-	-	-
-	-	06-05-2022	
Rev.	Eng.	Date	Revision description

 Am. projectie	Format: <b>A4</b>	Scale: <b>1 : 3</b>	Customer:	Description: <b>100-UC Corner</b>	
	Dimension tolerances: NEN-ISO-2768-1-m Weldment tolerances: DIN 8570B	Status: <b>DEF</b>	Project:	Drawing number: <b>31 1604 0006</b>	Revision: <b>-</b>



**BuildingElegance**

C	-	-	-
B	-	-	-
A	-	-	-
-	-	06-05-2022	
Rev.	Eng.	Date	Revision description

 Am. projectie	Format: <b>A4</b>	Scale: <b>1 : 5</b>	Customer:	Description:	
	Status:	<b>DEF</b>	Project:	<b>100-UC Corner</b>	Drawing number:
Dimension tolerances: NEN-ISO-2768-1-m Weldment tolerances: DIN 8570B				<b>31 1604 0007</b>	Revision:
					<b>-</b>